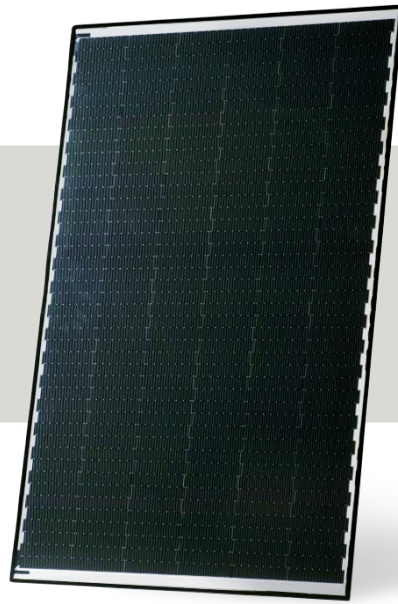


CIGS Thin Film Solar Module SOL100GG

20 years output warranty (80 %)
10 years output warranty (90 %)
2 years product warranty



Summary of Qualities

- general purpose solar module
- innovative Solarion-CIGS on Polyimide solar cells from roll-to-roll process
- high energy output, performs with excellent performance ratios
- no initial performance degradation
- safe, robust and durable glass-glass encapsulation
- aesthetically pleasing black appearance
- easy to handle and to install, frameless design does not require module grounding
- compatible to cSi optimized inverters
- lower balance of system costs
- up to 3,500 Pa wind and snow load
- IEC 61646 and IEC 61730 qualification in preparation

Contact

Solarion AG · Ostende 5 · 04288 Leipzig, Germany · Tel +49(0)34297 6088 0 · www.solarion.de

Performance*

Performance at standard test conditions (STC: 1000 W/m², 25 °C, spectrum AM 1.5 G)

Nominal power P _{max}	[W]	90	95	100	105	110	115
Voltage at maximum power V _{mp}	[V]	17.0	17.1	17.3	17.4	17.5	17.5
Current at maximum power I _{mp}	[A]	5.29	5.56	5.78	6.03	6.29	6.57
Open circuit voltage V _{oc}	[V]	23.4	23.5	23.8	24.0	24.1	24.1
Short circuit current I _{sc}	[A]	6.5	6.76	6.92	7.14	7.38	7.61

Performance at nominal operating cell temperature (NOCT: 800 W/m², 47 ± 2 °C, spectrum AM 1.5 G)

Nominal power P _{max}	[W]	64.5	68.1	71.7	75.3	78.8	82.4
Nominal voltage V _{mp}	[V]	15.2	15.3	15.5	15.6	15.6	15.6
Current at maximum power I _{mp}	[A]	4.24	4.45	4.63	4.84	5.04	5.27
Open circuit voltage V _{oc}	[V]	21.6	21.7	22.0	22.1	22.2	22.2
Short circuit current I _{sc}	[A]	5.21	5.42	5.55	5.72	5.92	6.1

Temperature effects

Temperature coefficient of P _{max}	- 0.45 %/K
Temperature coefficient of V _{oc}	- 0.35 %/K
Temperature coefficient of I _{sc}	+ 0.01 %/K

Operating limits

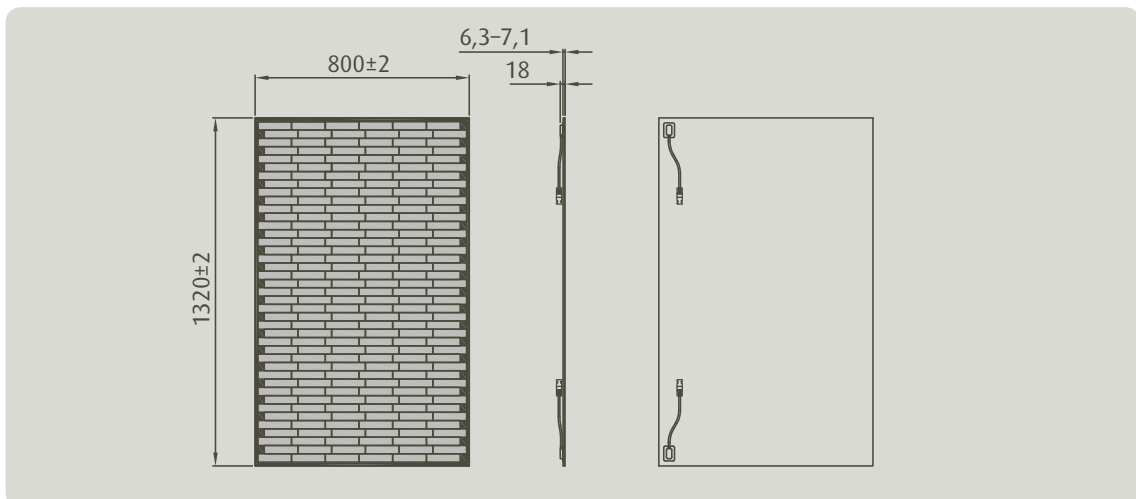
Maximum system voltage	1000 V
Ambient temperature range	- 40 ... + 45 °C
Max. mechanical load	3500 Pa
Hail resistance	25 mm at 83 km/h
Max. reverse current	1.5 x I _{mp}

Mechanical characteristics

Module technology	glass – encapsulant & edge sealing – glass, frameless
Number and type of solar cells	270 pieces CIGS [Cu(In, Ga) Se ₂] on polyimide
Dimensions (L x W x D)	1320 mm x 800 mm x 7 mm (18 mm including junction box)
Weight	15.5 kg
Junction box	2 pcs, protection class IP 65
Output terminals	connectors with 200 mm 2.5 mm ² cable each

* Measuring tolerances: Nominal Power P_{max} ± 5 %, other Electrical Parameters ± 10 %

Solar Module



Note: This preliminary data sheet is provided to assist you in the evaluation of the product that is under development. Until Solarion releases this product for general sales, Solarion reserves the right to alter prices, specifications, features, capabilities, function, release dates, and even general availability of the product at any time.